

AXOR Starck
Single-Hole Faucet 170, 1.2 GPM
 Finish: **brushed gold optic** Part no. : **10123251**



Description

Features

- Handle variant: pin
- Spray modes: aerated spray
- Max. flow: 1.2 GPM (4.5 L/Min)
- Ceramic cartridge

Item details

List Price \$ 1,444.00

Technology



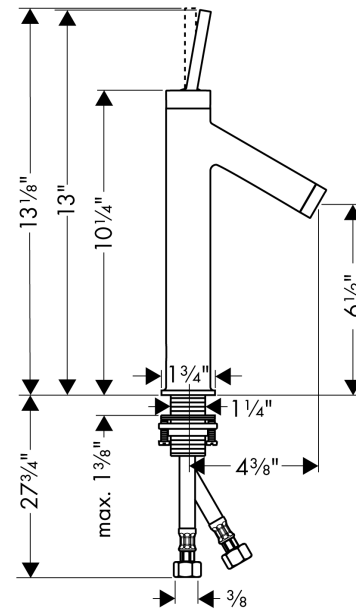
Compliance / Sustainability



Product image



Scale drawing

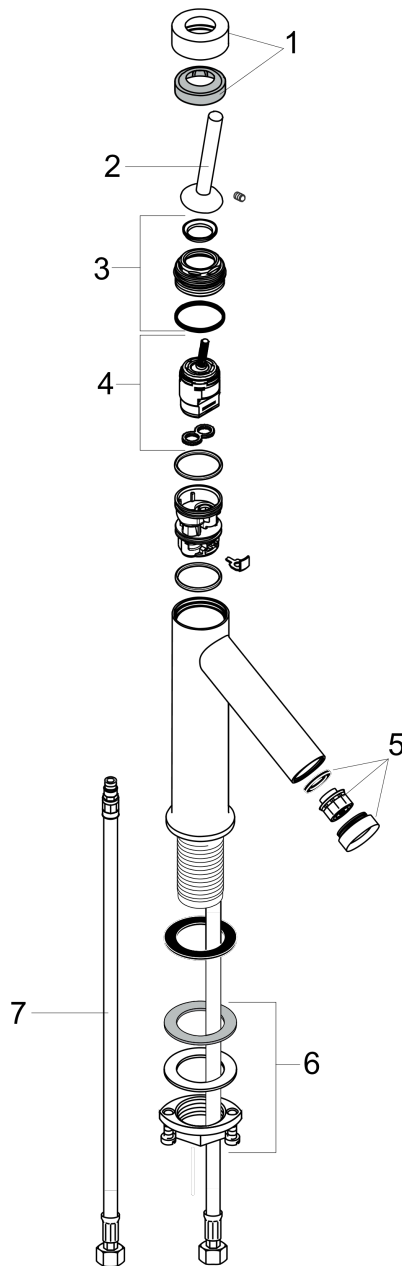


AXOR Starck
Single-Hole Faucet 170, 1.2 GPM
 Finish: **brushed gold optic** Part no. : **10123251**



Exploded drawing

Year of production: >05/17



AXOR Starck
Single-Hole Faucet 170, 1.2 GPM
 Finish: **brushed gold optic** Part no. : **10123251**



Spare parts list

Year of production: >05/17

Pos.	Description	Part no.	Price	PU
1	flange	97155250	-	1
2	handle	10092250	-	1
3	nut	97157000	-	1
4	cartridge, assy	96339000	-	1
5	aerator M24x1 (4,5 l/min)	92812000	-	1
6	fixing set (Ø 32)	13961000	-	1
7	connection hose 18½" M8x0,75 3/8"	96321001	-	1
a	hollow set screw M4x6	97767000	-	1
b	adapter for cartridge	95289000	-	1
c	lever collar	97548000	-	1