

AXOR Starck
Pressure Balance Trim
 Finish: **chrome** Part no. : **10407001**



Description

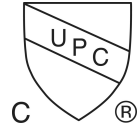
Features

- Temperature and on/off control for 1 outlet
- Max. flow: 5.44 GPM (20.6 L/Min)
- Integrated bypass for use with diverter tub spouts

Item details

List Price \$ 641.00

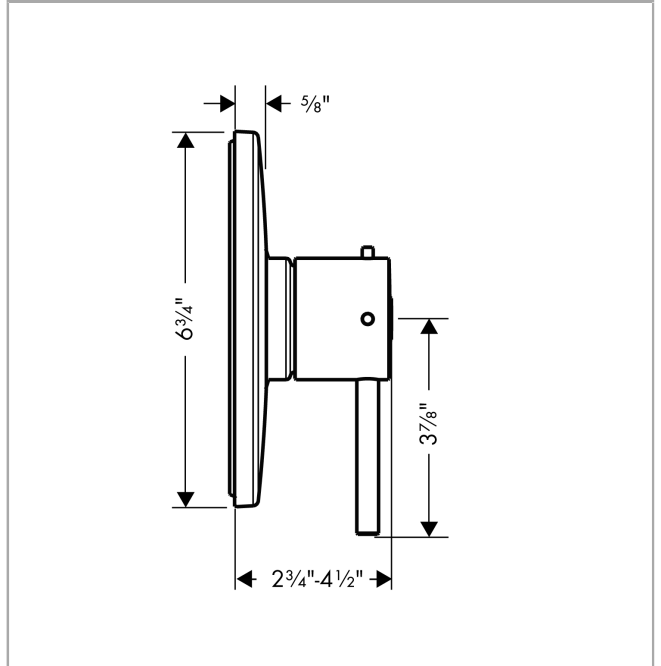
Compliance / Sustainability



Product image



Scale drawing

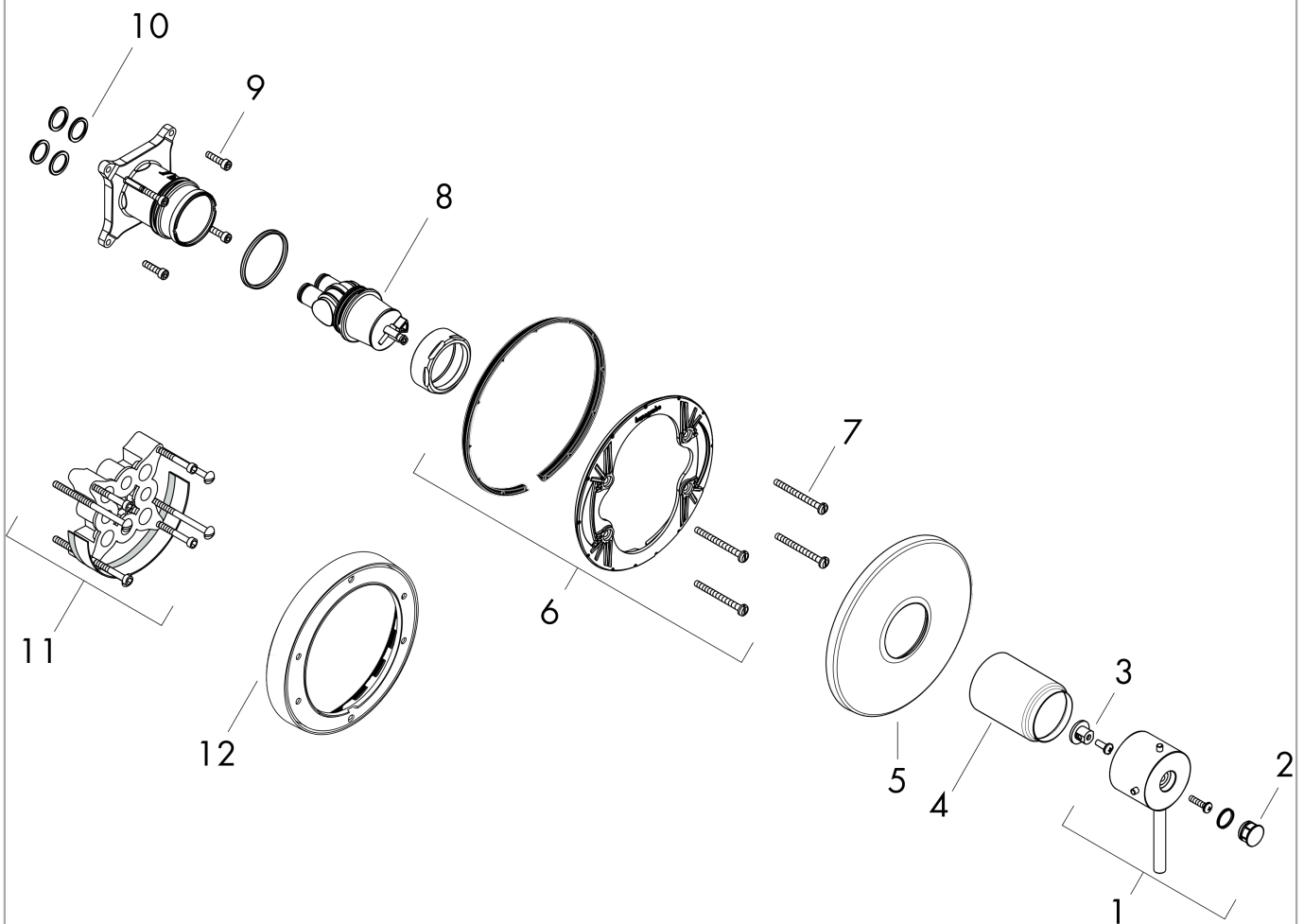


AXOR Starck
Pressure Balance Trim
 Finish: **chrome** Part no. : **10407001**



Exploded drawing

Year of production: >07/09



AXOR Starck
Pressure Balance Trim
 Finish: **chrome** Part no. : **10407001**



Spare parts list

Year of production: >07/09

Pos.	Description	Part no.	Price	PU
1	handle	88778000	-	1
2	screw cover	96540001	-	1
3	adapter for handle	92756000	-	1
4	sleeve	88765000	-	1
5	escutcheon	88760000	-	1
6	sub plate	96447000	-	1
7	set of fixing screws	96454000	-	1
8	cartridge, assy	88727000	-	1
9	set of screws	96525000	-	1
10	O-ring 16x2	98133000	-	1
11	extension 25 mm	13595000	-	1
12	extension 22 mm (Ø 170 mm)	13596000	-	1
a	base body	01850181	-	1