

## Rough, Freestanding Tub Filler

Finish: Part no. : **10452181**



### Description

#### Features

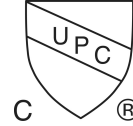
- Connection thread: 1/2" NPT
- Minimum mounting depth: 2.1"
- Maximum mounting depth: 5.23"

### Item details

List Price

\$ 887.00

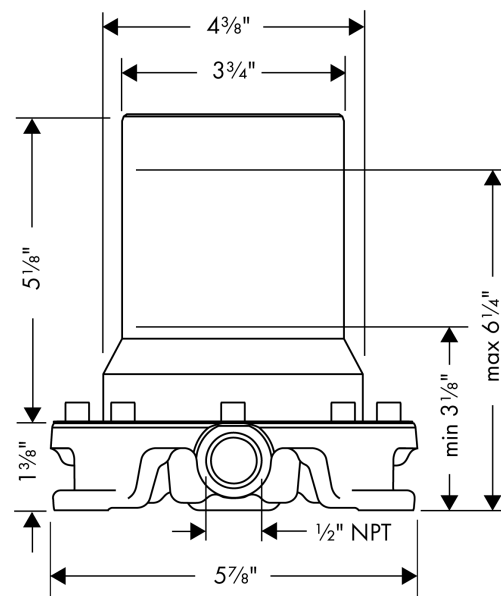
### Compliance / Sustainability



### Product image



### Scale drawing

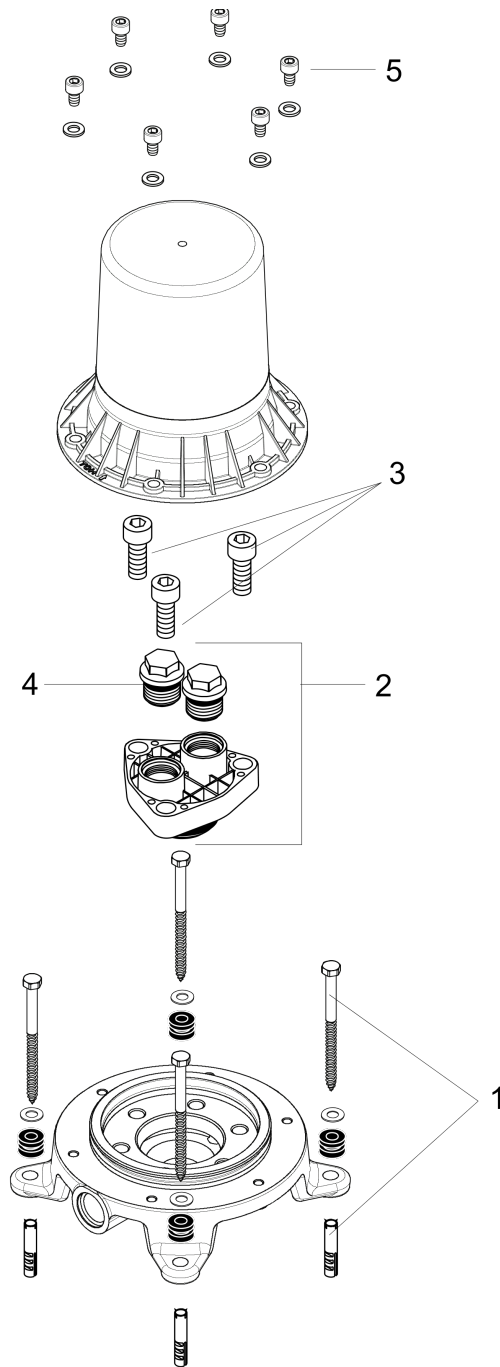


**Rough, Freestanding Tub Filler**  
 Finish: Part no. : 10452181



Exploded drawing

Year of production: >12/08



**Rough, Freestanding Tub Filler**

Finish: Part no. : **10452181**



**Spare parts list**

Year of production: >12/08

Pos.	Description	Part no.	Price	PU
1	mounting kit	96260000	-	1
2	flushing unit complete	96459000	-	1
3	hexagon socket screw M10x35	97670000	-	1
4	O-ring 15x2,5	98131000	-	1
5	hexagon socket screw M6x10	92847000	-	1