

**AXOR ShowerSolutions**  
**Rough, Volume Control 5" x 5"**  
 Finish: Part no. : **10971181**



**Description**

**Features**

- Flow: 10.0 GPM (38.0 L/Min)
- Quick connection for easy, leak-free installation

**Item details**

List Price \$ 292.00

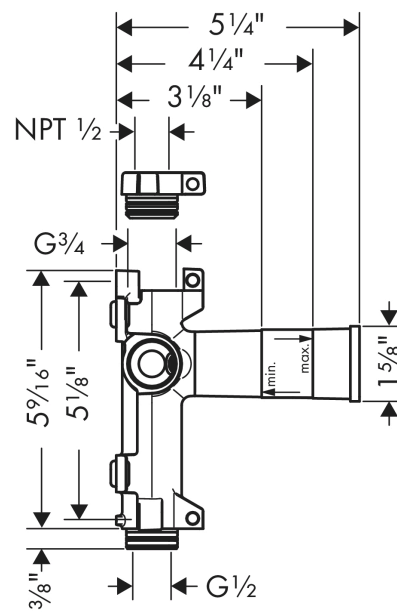
**Compliance / Sustainability**



**Product image**



**Scale drawing**

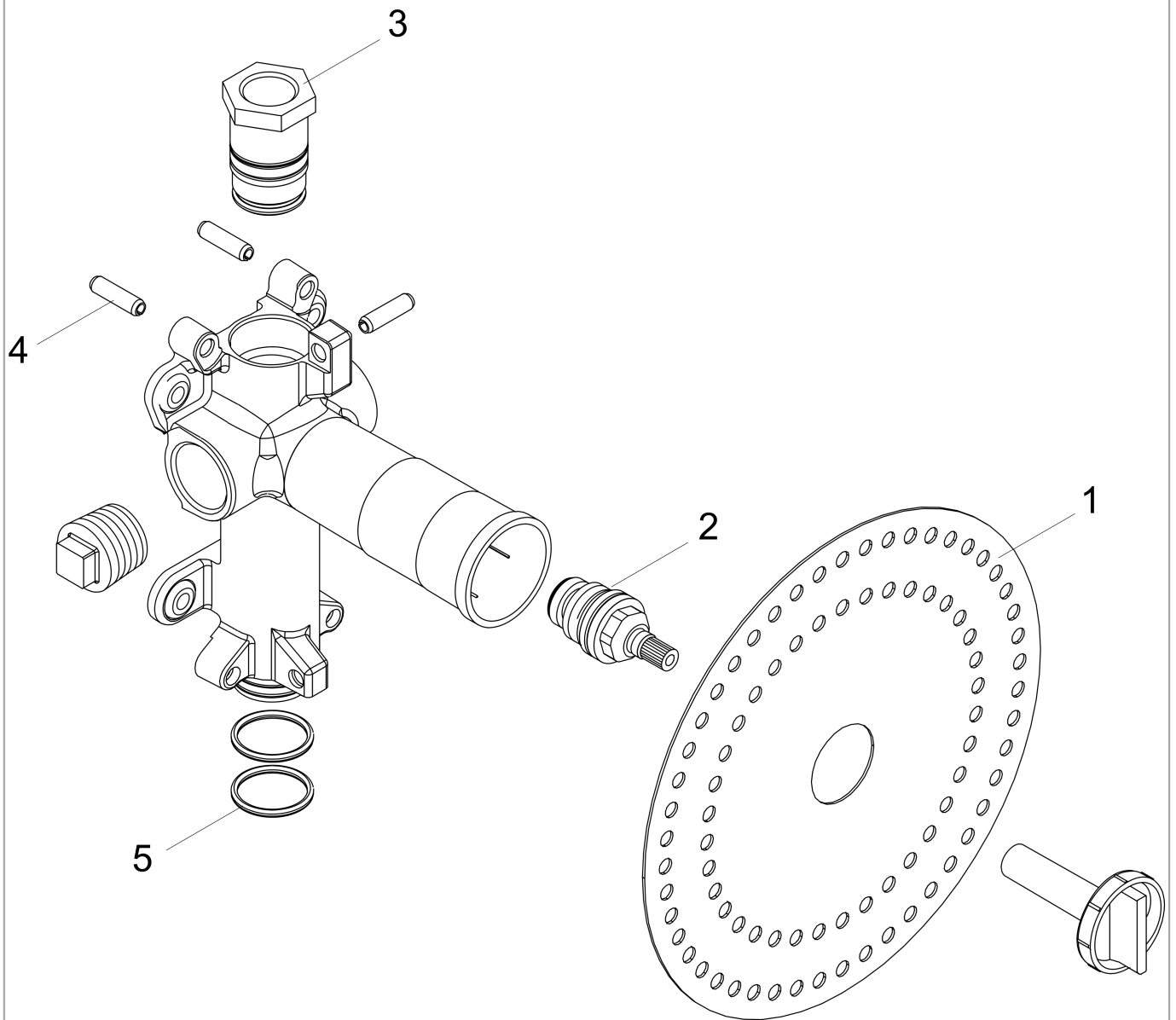


**AXOR ShowerSolutions**  
**Rough, Volume Control 5" x 5"**  
Finish: Part no. : 10971181



Exploded drawing

Year of production: >04/09



**AXOR ShowerSolutions**  
**Rough, Volume Control 5" x 5"**  
 Finish: Part no. : **10971181**



**Spare parts list**

Year of production: >04/09

Pos.	Description	Part no.	Price	PU
1	sealing foil	96492000	-	1
2	shut off unit with spindle 1/2"	94142000	-	1
3	plug	95335001	-	1
4	pin	95334000	-	1
5	O-Ring 23x2,5	98183000	-	1