

**Rough, Volume Control, 1/2"**  
 Finish: Part no. : **15974181**



**Description**

**Features**

- Max. flow: 10.5 GPM (40.0 L/Min)

**Item details**

List Price \$ 161.00

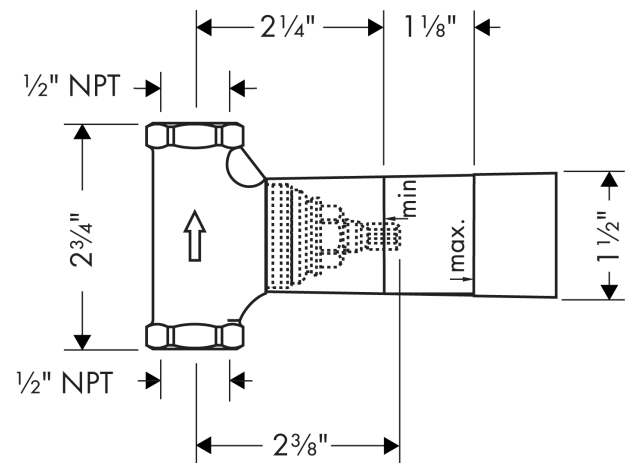
**Compliance / Sustainability**



**Product image**



**Scale drawing**

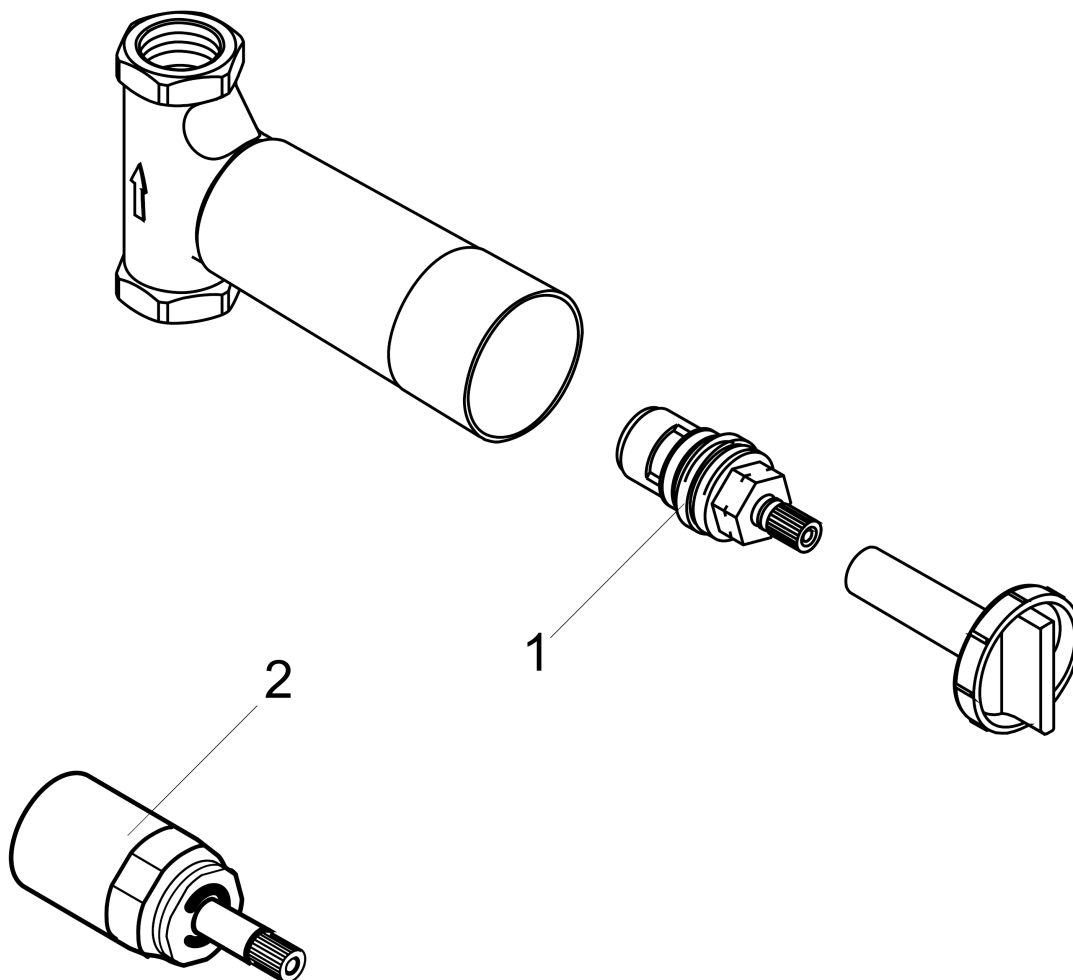


**Rough, Volume Control, 1/2"**  
 Finish: Part no. : **15974181**



Exploded drawing

Year of production: >07/18



**Rough, Volume Control, 1/2"**  
 Finish: Part no. : **15974181**



**Spare parts list**

Year of production: >07/18

Pos.	Description	Part no.	Price	PU
1	shut off unit right closing	94009000	-	1
2	extension 25 mm	96370000	-	1