

AXOR Montreux

2-Handle Freestanding Tub Filler Trim with Cross Handles and 1.8 GPM Handshower

Finish: **chrome** Part no. : **16562001**



Description

Features

- Spray type mixer: aerated spray
- Spray type hand shower: RainAir
- Max. flow: 4.76 GPM (18 L/Min)
- Flow rate of hand shower at 3 bar: 1.8 GPM (6.8 L/Min)
- Ceramic valves 90°
- Integrated double backflow prevention

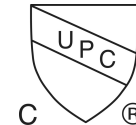
Item details

List Price \$ 5,113.00

Technology



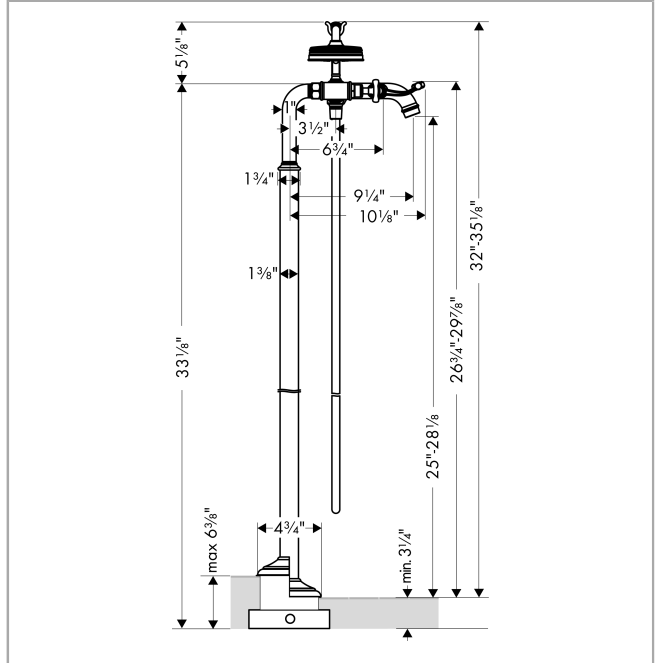
Compliance / Sustainability



Product image



Scale drawing



AXOR Montreux

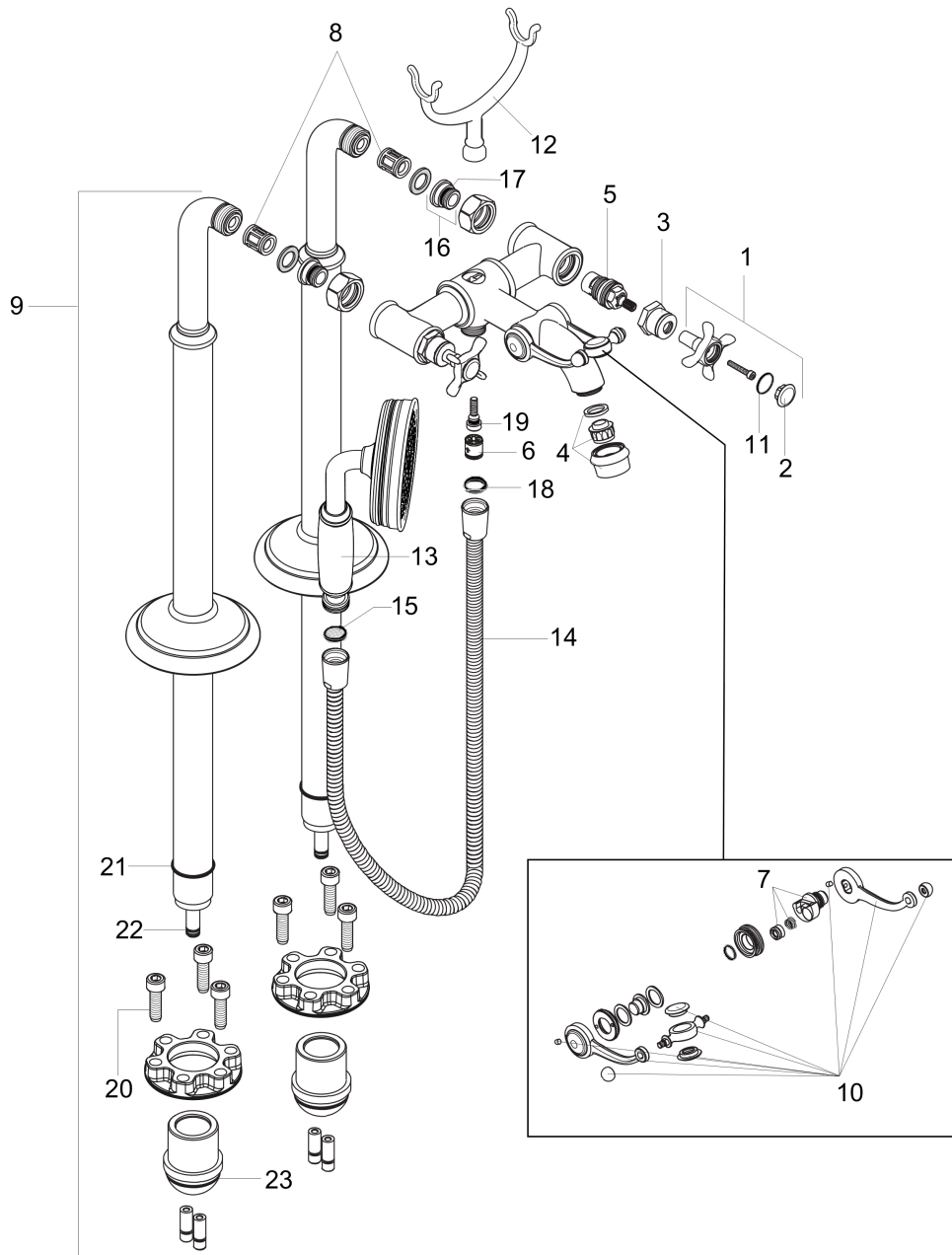
2-Handle Freestanding Tub Filler Trim with Cross Handles and 1.8 GPM Handshower

Finish: **chrome** Part no. : **16562001**



Exploded drawing

Year of production: >01/19



AXOR Montreux

2-Handle Freestanding Tub Filler Trim with Cross Handles and 1.8 GPM Handshower

Finish: **chrome** Part no. : **16562001**



Spare parts list

Year of production: >01/19

Pos.	Description	Part no.	Price	PU
1	handle	16597000	-	1
2	set of screw covers, cold / hot water / neutral	97987000	-	1
3	sleeve	97993000	-	1
4	aerator M22x1 (25 l/min)	98575000	-	1
5	shut off unit right closing	94009000	-	1
6	set of non return valves DW 15	94074000	-	1
7	selector	98591000	-	1
8	noise reduction	96429000	-	1
9	pillar union	98856000	-	1
10	sliding gear lever	98594000	-	1
11	O-ring 16x2	98133000	-	1
12	shower base	98590000	-	1
13	handshower	04695000	-	1
14	shower hose 1,25 m	28112000	-	1
15	filter packing	94246000	-	1
16	connecting thread	97220000	-	1
17	O-ring 15x2	98163000	-	1
18	seal	98058000	-	1
19	O-ring 5x2	98215000	-	1
20	hexagon socket screw M10x35	97670000	-	1
21	O-ring 35x2	92604000	-	1
22	O-ring 9x1,5	98117000	-	1
23	O-ring 44x2,5	98162000	-	1