

AXOR Citterio M
4-Hole Roman Tub Set Trim with 1.75 GPM Handshower
 Finish: **chrome** Part no. : **34448001**

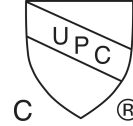


Description

Item details

List Price \$ 2,302.00

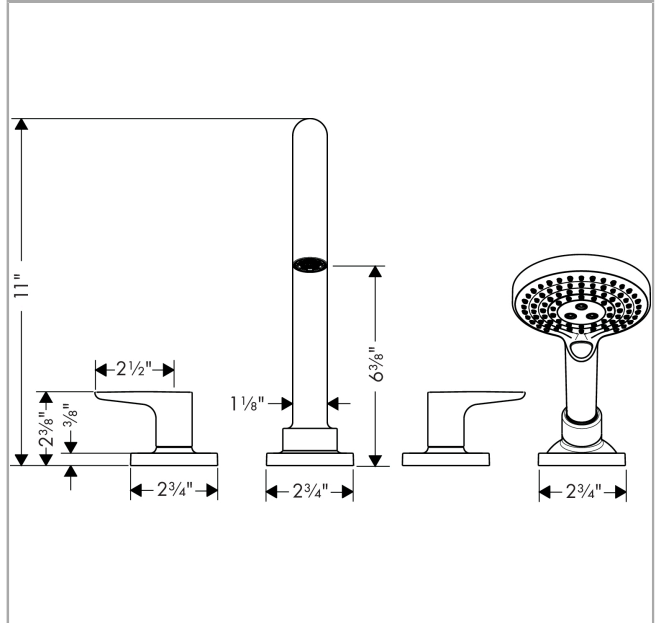
Compliance / Sustainability



Product image



Scale drawing

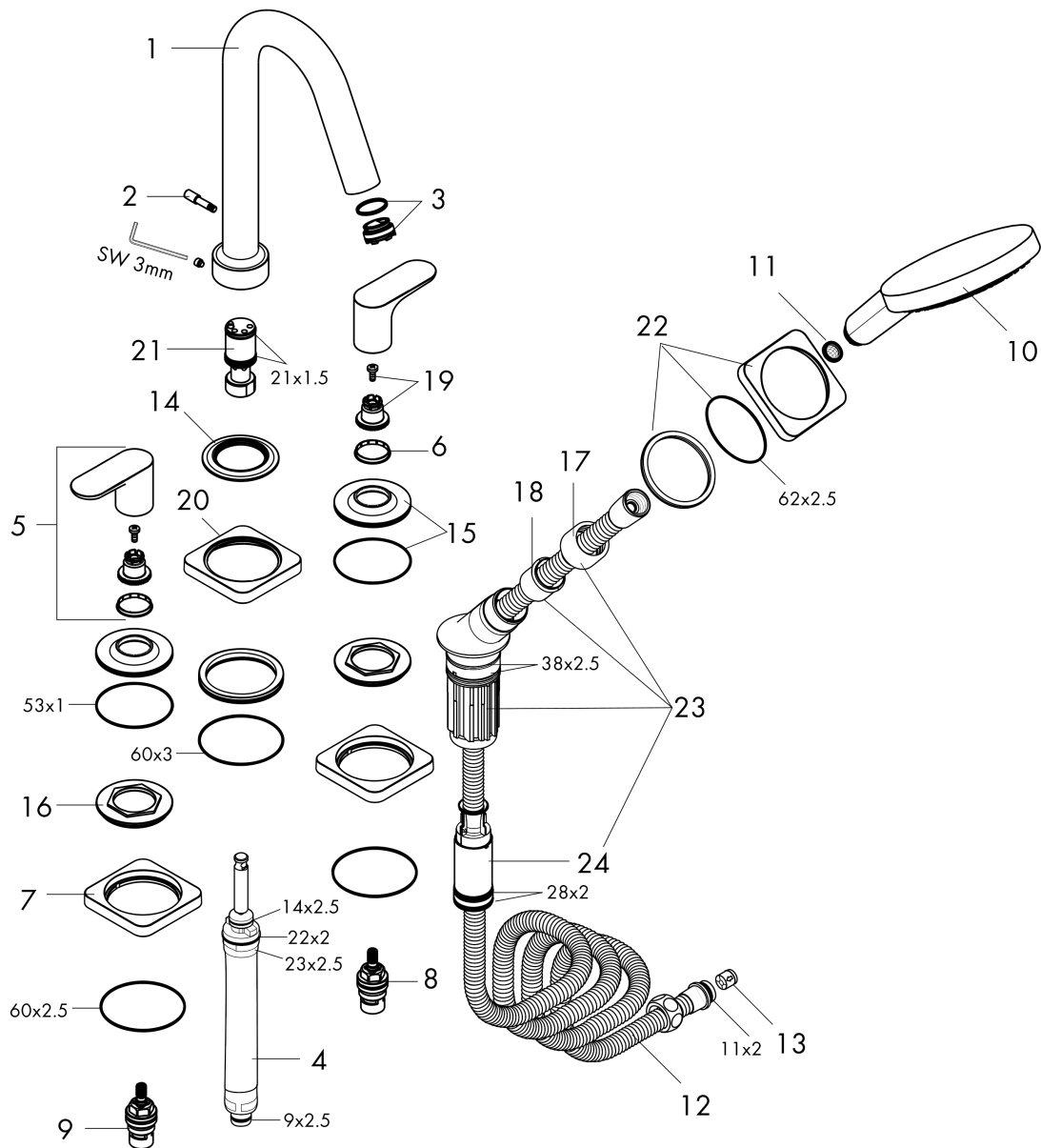


AXOR Citterio M
4-Hole Roman Tub Set Trim with 1.75 GPM Handshower
 Finish: **chrome** Part no. : **34448001**



Exploded drawing

Year of production: >10/18



AXOR Citterio M
4-Hole Roman Tub Set Trim with 1.75 GPM Handshower
 Finish: **chrome** Part no. : **34448001**



Spare parts list

Year of production: >10/18

Pos.	Description	Part no.	Price	PU
1	spout cpl.	98997000	-	1
2	diverter knob	96774000	-	1
3	aerator M24x1 (30 l/min)	98998000	-	1
4	selector assy	96775000	-	1
5	handle	98999000	-	1
6	set of color-rings cold / hot water	96319000	-	1
8	shut off unit left closing	96351000	-	1
9	shut off unit right closing	96350000	-	1
10	handshower	26052001	-	1
11	filter packing	94246000	-	1
12	shower hose 2,00 m	94148000	-	1
13	set of non return valves DW 15	94074000	-	1
14	escutcheon for spout	98501000	-	1
15	escutcheon for handle	98991000	-	1
16	nut	98502000	-	1
17	nut	97584000	-	1
18	insert for shower holder	96942000	-	1
19	handle fixing set	94184000	-	1
20	escutcheon for spout	98509000	-	1
22	escutcheon for shower holder	92347000	-	1
23	shower holder, assy	95996000	-	1
24	hose brake	98656000	-	1
a	O-ring 21x1,5	98219000	-	1
b	O-ring 60x3	98180000	-	1
c	O-Ring 23x2,5	98183000	-	1
d	O-Ring 22x2	98185000	-	1
e	O-Ring 14x2,5	98189000	-	1
f	O-ring 53x1	98424000	-	1
g	O-ring 60x2,5	98425000	-	1
h	O-ring 62x2,5	98461000	-	1
i	O-ring 38x2,5	98198000	-	1
j	O-Ring 28x2	98194000	-	1
k	O-ring 11x2	98127000	-	1
l	O-ring 9x2,5	98217000	-	1