

AXOR Citterio E

Tube Spout

Finish: **chrome** Part no. : **36425001**



Description

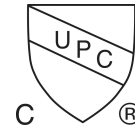
Features

- Max. flow: 6.08 GPM
- Solid Brass
- Includes: 1/2" female and 3/4" male adaptor

Item details

List Price \$ 594.00

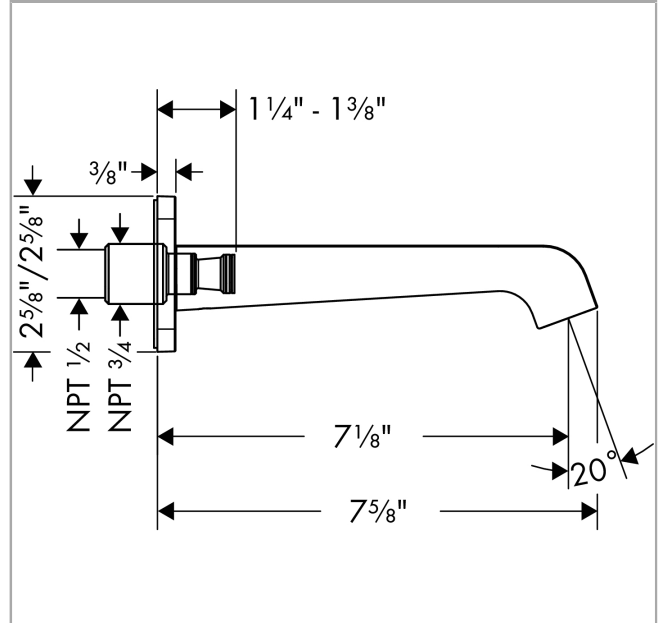
Compliance / Sustainability



Product image



Scale drawing



AXOR Citterio E

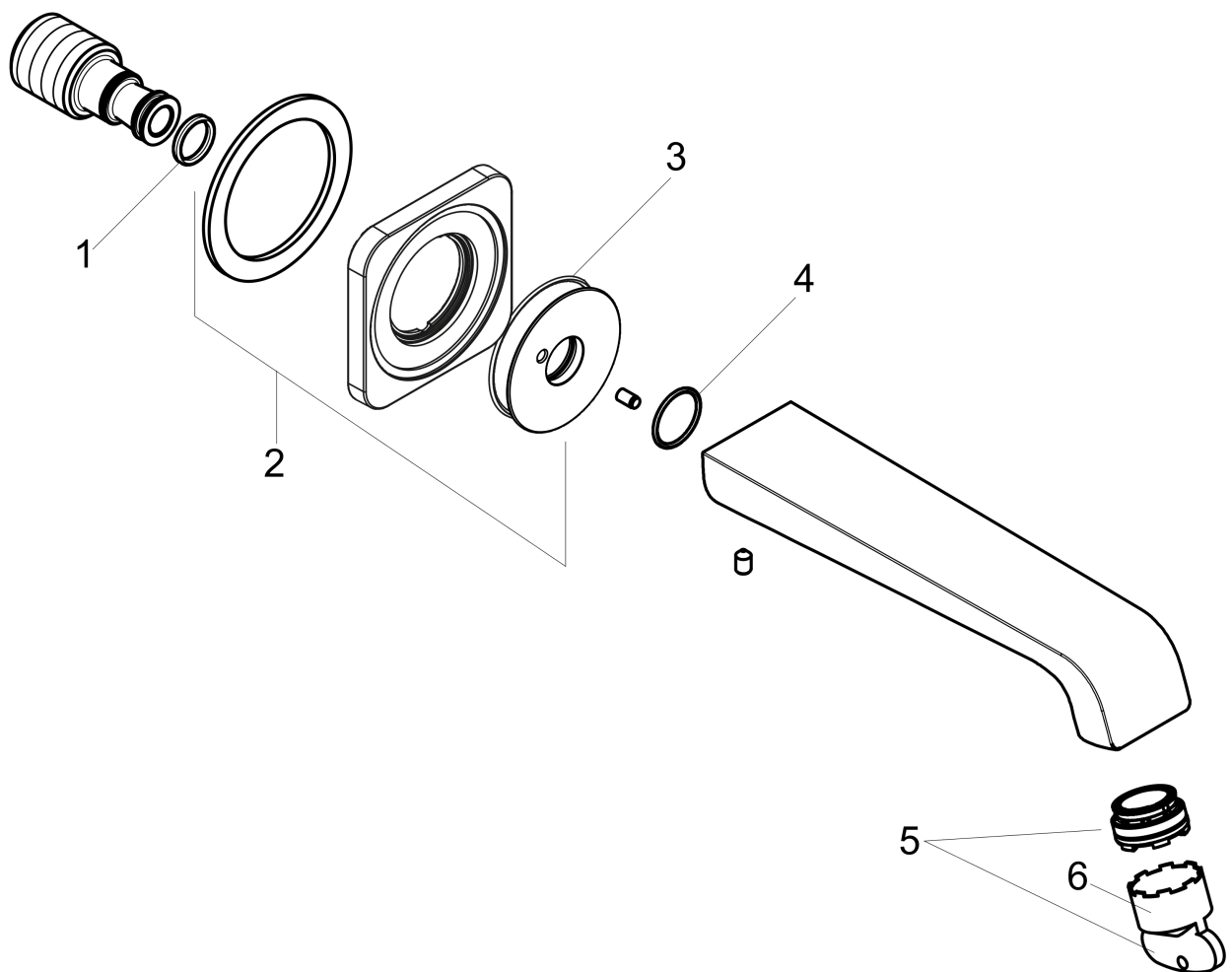
Tube Spout

Finish: **chrome** Part no. : **36425001**



Exploded drawing

Year of production: >01/16



AXOR Citterio E

Tub Spout

Finish: **chrome** Part no. : **36425001**



Spare parts list

Year of production: >01/16

Pos.	Description	Part no.	Price	PU
1	O-ring 13x2	98128000	-	1
2	escutcheon for spout	92337000	-	1
3	O-Ring 46x2	98195000	-	1
4	O-ring 18x1,5	98231000	-	1
5	aerator laminar M24x1 C	98337000	-	1
6	special tool	95290000	-	1
a	hollow set screw M5x8	92851000	-	1