

**AXOR Citterio**  
**4-Hole Roman Tub Set Trim with Lever Handles and 1.75 GPM Handshower**  
 Finish: **chrome** Part no. : **39462001**



**Description**

**Features**

- Spray type mixer: aerated spray
- Max. flow: 5.0 GPM (19 L/Min)
- Flow rate of hand shower at 3 bar: 1.75 GPM (6.6 L/Min)
- Diverter with automatic resetting
- Integrated double backflow prevention
- Protected against backflow, according to DIN EN 1717

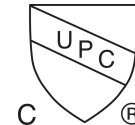
**Item details**

List Price \$ 3,472.00

**Technology**



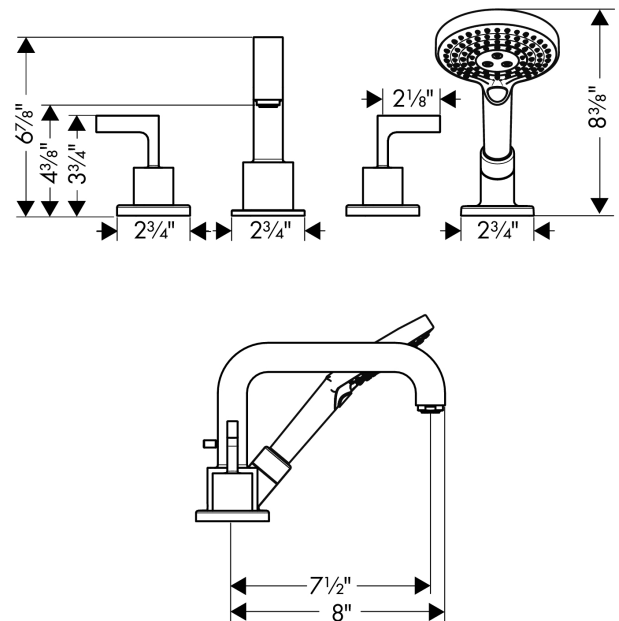
**Compliance / Sustainability**



**Product image**



**Scale drawing**

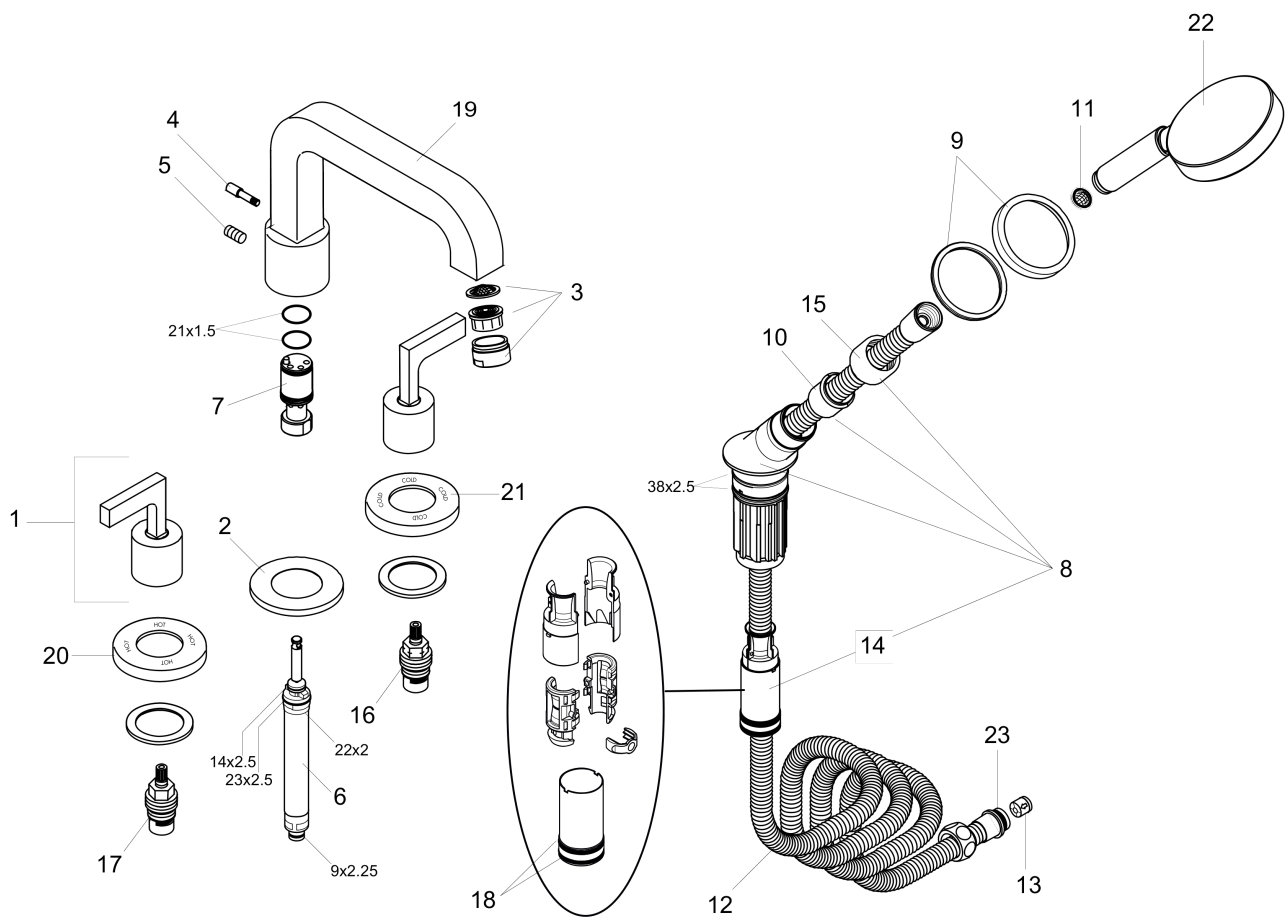


**AXOR Citterio**  
**4-Hole Roman Tub Set Trim with Lever Handles and 1.75 GPM Handshower**  
 Finish: **chrome** Part no. : **39462001**



Exploded drawing

Year of production: >07/18



**AXOR Citterio**  
**4-Hole Roman Tub Set Trim with Lever Handles and 1.75 GPM Handshower**  
 Finish: **chrome** Part no. : **39462001**



## Spare parts list

Year of production: >07/18

Pos.	Description	Part no.	Price	PU
1	handle	39294000	-	1
2	escutcheon Ø 70 mm	97779000	-	1
3	aerator M24x1 (25 l/min)	13956000	-	1
4	diverter knob	96774000	-	1
5	hollow set screw M6x6	97660000	-	1
6	selector assy	96775000	-	1
7	guide tube	92214000	-	1
8	shower holder, assy	95996000	-	1
9	escutcheon for shower holder	95753000	-	1
10	insert for shower holder	96942000	-	1
11	filter packing	94246000	-	1
12	shower hose 2,00 m	94148000	-	1
13	set of non return valves DW 15	94074000	-	1
14	hose brake	98656000	-	1
15	nut	97584000	-	1
16	shut off unit left closing	94008000	-	1
17	shut off unit right closing	94009000	-	1
18	O-Ring 28x2	98194000	-	1
19	spout cpl.	96773000	-	1
20	escutcheon hot water	96771000	-	1
21	escutcheon cold water	96772000	-	1
22	handshower	26052001	-	1
23	O-ring 11x2	98127000	-	1
a	O-Ring 14x2,5	98189000	-	1
b	O-Ring 23x2,5	98183000	-	1
c	O-Ring 22x2	98185000	-	1
d	O-ring 9x2,5	98217000	-	1
e	base body	13444181	-	1
f	O-ring 58x3	98202000	-	1