

AXOR ShowerSolutions

Shelf 10" x 5"

Finish: **chrome** Part no. : **40873000**



Description

Features

- For use with either vertical or horizontal installation of the basic set
- When positioning the shelf between waterconducting parts (no.10755XXX, no.10751XXX, no.10942XXX, no.10972XXX, no.10651XXX, no.28491XXX) in joined installation (0.39" distance), it is recommended to use basic set no.40878180
- Suitable for installation with or without basic set # 40878180
- Material frame: solid Brass
- Material shelf: Metal
- With mounting material
- Concealed fastening
- Diameter of drilled hole: 0.23"

Item details

List Price \$ 913.00

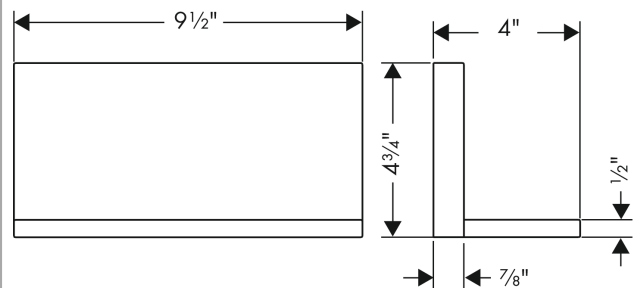
Compliance / Sustainability



Product image



Scale drawing



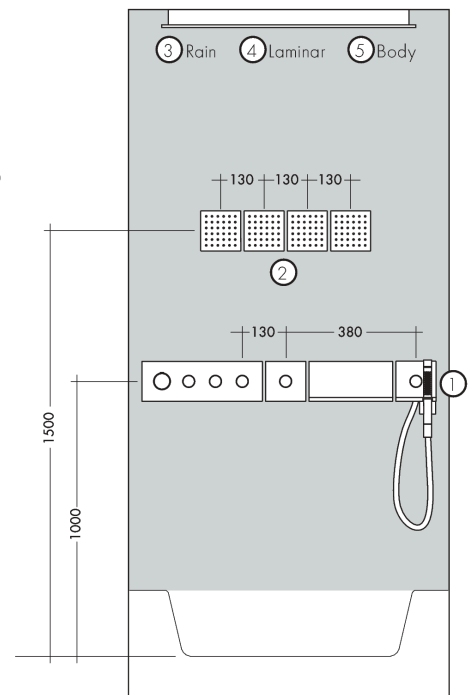
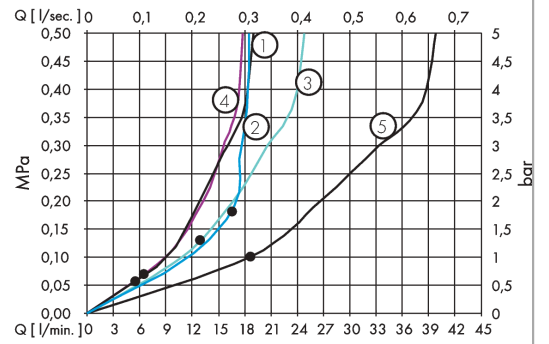
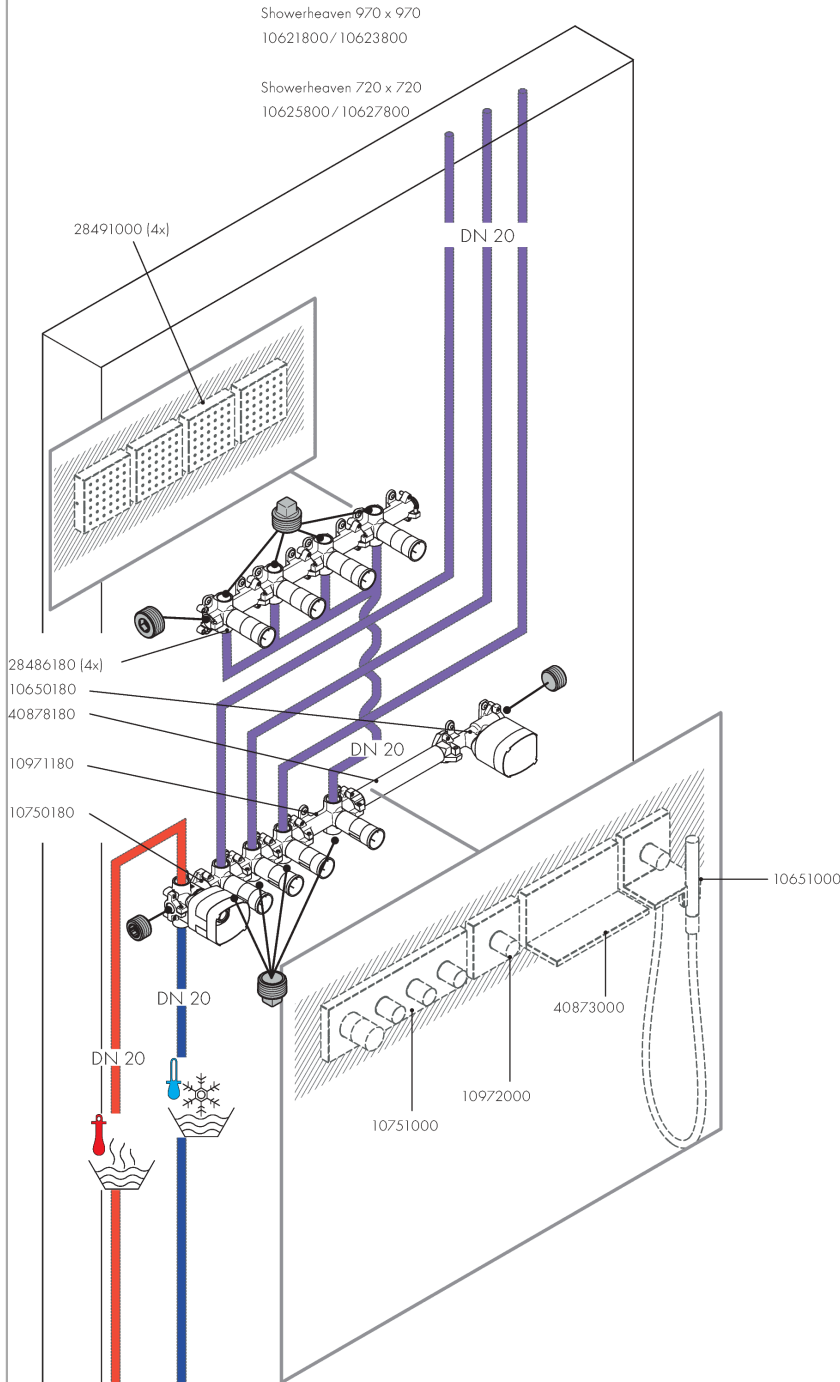
AXOR ShowerSolutions

Shelf 10" x 5"

Finish: **chrome** Part no. : **40873000**



Installation example



AXOR ShowerSolutions

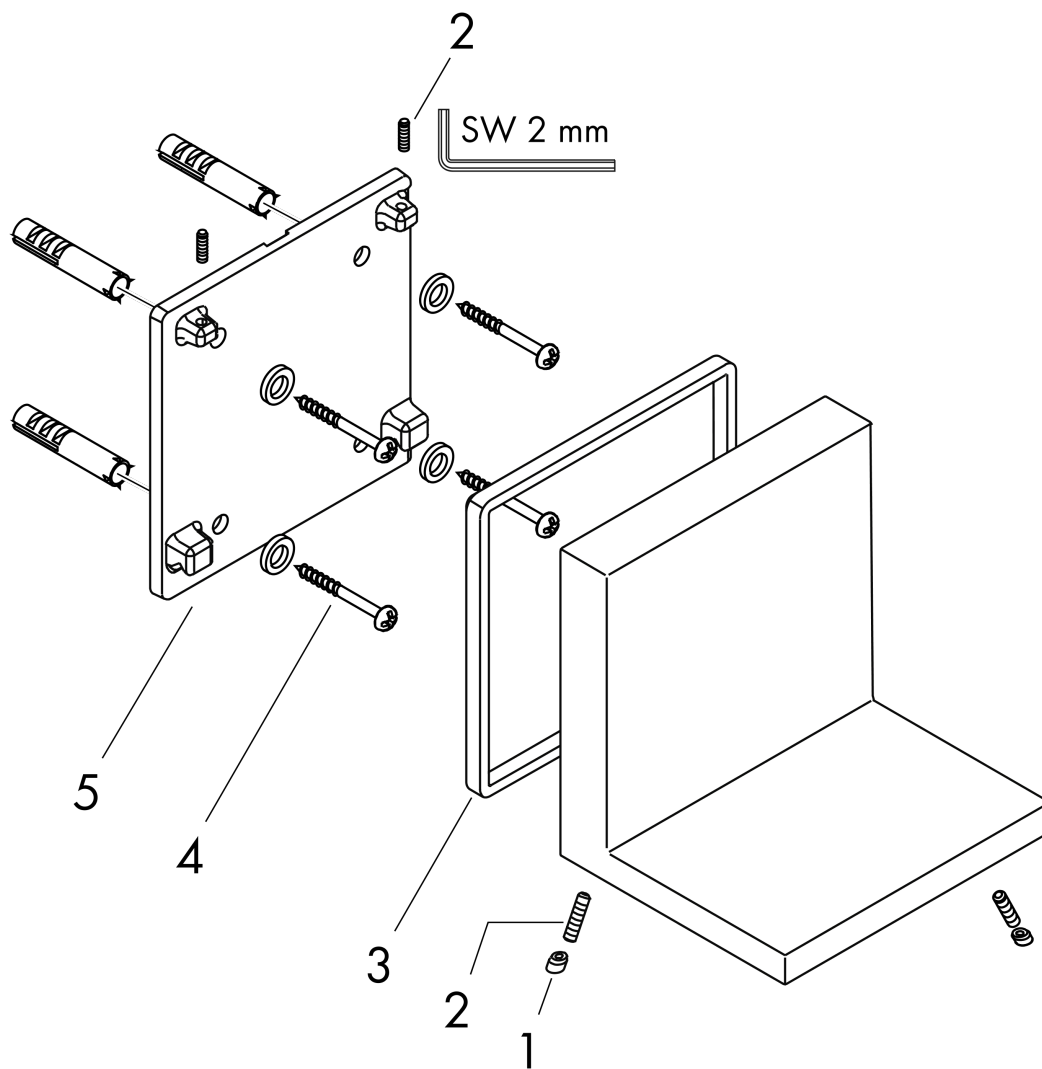
Shelf 10" x 5"

Finish: **chrome** Part no. : **40873000**



Exploded drawing

Year of production: >01/09



AXOR ShowerSolutions

Shelf 10" x 5"

Finish: **chrome** Part no. : **40873000**



Spare parts list

Year of production: >01/09

Pos.	Description	Part no.	Price	PU
1	screw cover	96338000	-	1
2	hollow set screw M4x16	97663000	-	1
3	seal	97737000	-	1
4	mounting set	96179000	-	1
5	support element	95312000	-	1