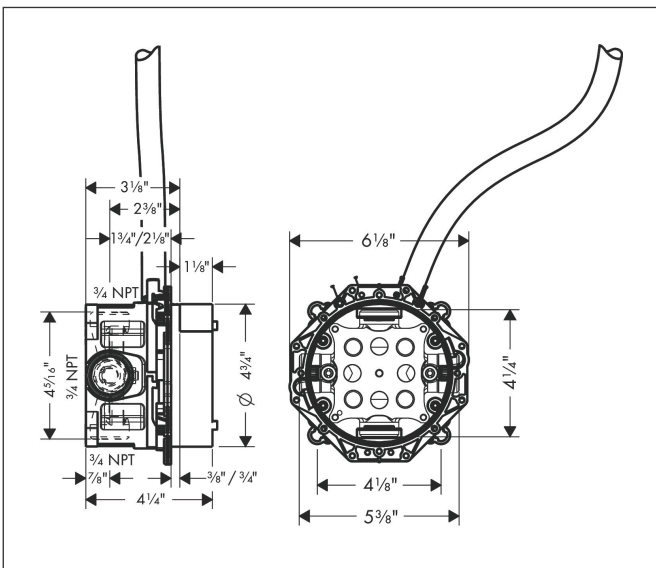


Brand hansgrohe
 Art. Name Rough, Axor Uno² Electronic Lavatory Faucet DECK
 Art. Nr. 16182181
 Pos. 1

Product Picture



Drawing

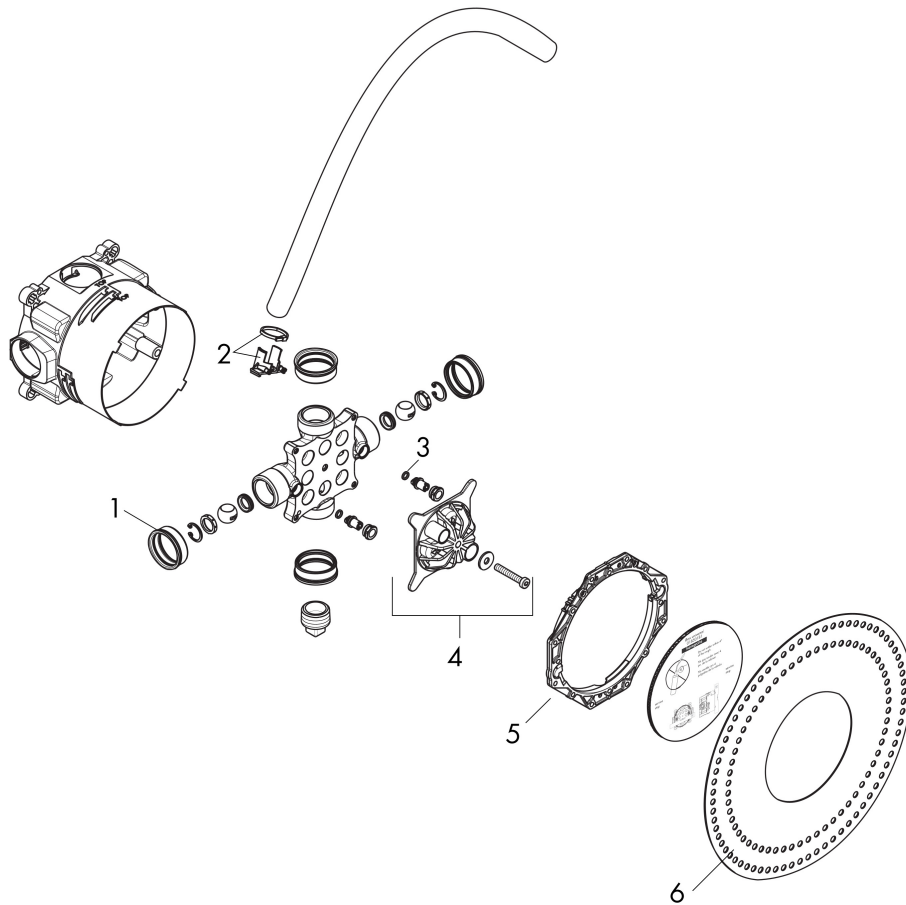


Codes / Standards

- cUPC/IAPMO/3016/ cUPC Mark

Brand hansgrohe
Art. Name Rough, Axor Uno² Electronic Lavatory Faucet DECK
Art. Nr. 16182181
Pos. 1

Spare Parts Drawings for build year: >06/16



Brand hansgrohe
 Art. Name Rough, Axor Uno² Electronic Lavatory Faucet DECK
 Art. Nr. 16182181
 Pos. 1

Spare parts list for build year: >06/16

Pos.	Description	Article number
1	seal	97739000
2	adapter for wiring conduit	95260000
3	O-ring 5x1,5	92805000
4	flushing unit complete	98560000
5	displacing ring	98797000
6	sealing foil	96445000
a	extension 25 mm	13595000
b	extension 22 mm (Ø 170 mm)	13596000