

Brand AXOR  
 Art. Name **AXOR Uno** Electronic Faucet  
 Art. Nr. 38010001  
 Surface Chrome  
 Pos. 1

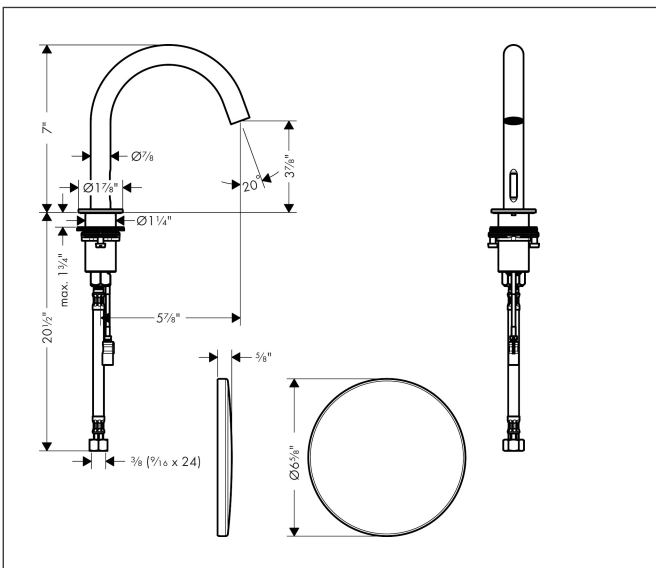
## Product Picture



## Features

- For commercial use
- Spray type: Aerated spray
- Maximum flow rate : 0.5 GPM
- Temperature adjustable via rough
- Infrared sensor technology
- 230 V / 50 Hz mains connection
- Running time: 10 s
- Frequency of hygiene rinse: 24 h
- Flushing time hygiene rinse: 10 s
- Cleaning mode: manual water stop for sink cleaning

## Drawing



## Technology

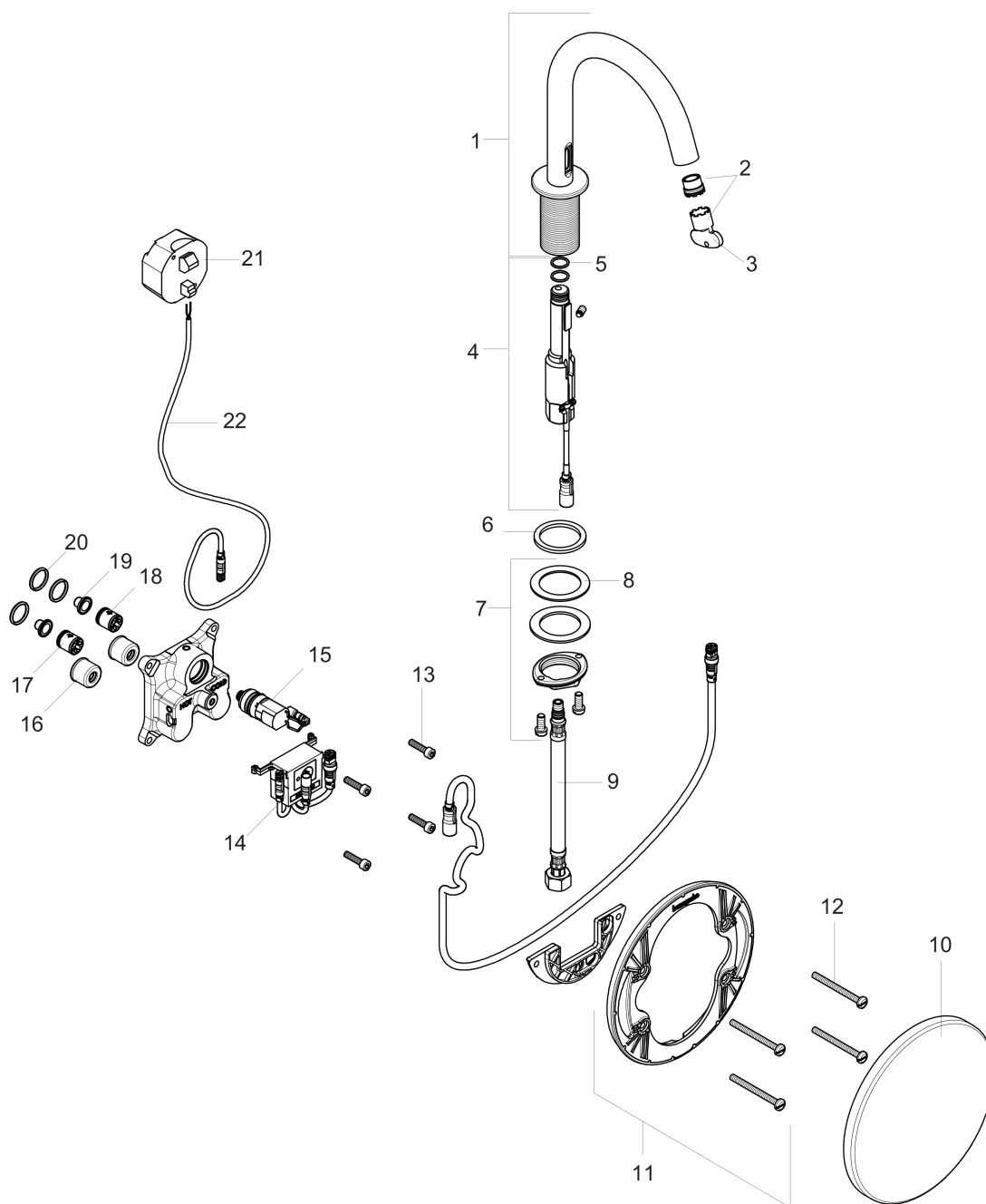


## Codes / Standards

- CEC/California/Watersaving
- cUPC/IAPMO/3016/Lavs/0,5gpm

Brand AXOR  
Art. Name **AXOR Uno** Electronic Faucet  
Art. Nr. 38010001  
Surface Chrome  
Pos. 1

## Spare Parts Drawings for build year: >07/17



Brand AXOR  
 Art. Name **AXOR Uno** Electronic Faucet  
 Art. Nr. 38010001  
 Surface Chrome  
 Pos. 1

## Spare parts list for build year: >07/17

Pos.	Description	Article number
1	spout cpl.	92997000
2	aerator M16,5x1 (1,9 l/min)	93178000
3	special tool	98987000
4	electronics	92998000
5	O-ring 12x1,5	98430000
6	flat seal	98749000
7	fixing set (Ø 32)	13961000
8	lever collar	97548000
9	connection hose 35½" M8x0,75 3/8"	96316001
10	escutcheon Ø 170 mm	95946000
11	sub plate	96447000
12	set of fixing screws	96454000
13	set of screws	96525000
14	control system	95947000
15	solenoid valve 6 V	96904000
16	noise reduction	94073000
17	non return valve (pressure-resistant up to 2 MPa)	92594000
18	set of non return valves DW 15	94074000
19	filter packing	95291000
20	O-ring 16x2	98133000
21	transformer	95945000
22	cable for illumination (12 V)	95586000
a	extension 22 mm (Ø 170 mm)	13596000